

# PORTABLE LIGHTING

ENG

## SERVOLUX - CANGURO



### TOPICS

- EASILY TRANSPORTABLE
- ANODIZED TELESCOPIC MASTS

- LIGHTWEIGHT AND COMPACT DESIGN
- INCORPORATED POWER SUPPLY

- LONG RUN TIME

### APPLICATIONS



# Servolux

The **SERVOLUX** is a battery powered system designed for emergency lighting or when a power source is not available. SERVOLUX can provide with its range a great autonomy, thanks to the different models SX-26, SX-40 and SX-55 with very low weights and dimensions.



APPLICATIONS

## Battery

The power is provided by a 12V 26/40/55 Ah high efficiency battery. 600 battery recharges are allowed with no gas emission in the atmosphere (GEL Technology). In the case the unit turns over, no acid will leak as the battery is leak-proof. A metallic base chemically treated against corrosion and a red plastic cover protects the battery. There is an outlet allowing the floodlight or other compatible devices to be connected. The battery can also be recharged via this outlet.

## Telescopic Mast

The telescopic mast is made by anodized light alloy aluminium, with 3 sections, the main section is  $\varnothing$  52 mm. It is supplied with manual locking devices in order to erect the mast at any height and rotate the light 360°. The mast is fixed on the unit by a fixed joint at the bottom and by two spring clamps fit on a metallic holder, allowing an easy and quick mounting and disassembling. The pole is manually extendable/retractable and it has an air cushion amortizing a possible fast closing of the sections and therefore does not damage the floodlight. With the lamp placed at 90°, the mast is 1.100mm high from the ground when completely retracted and 2.400 mm high when completely extended. The mast head has a locking arrangement to suit the floodlight.



70W floodlight

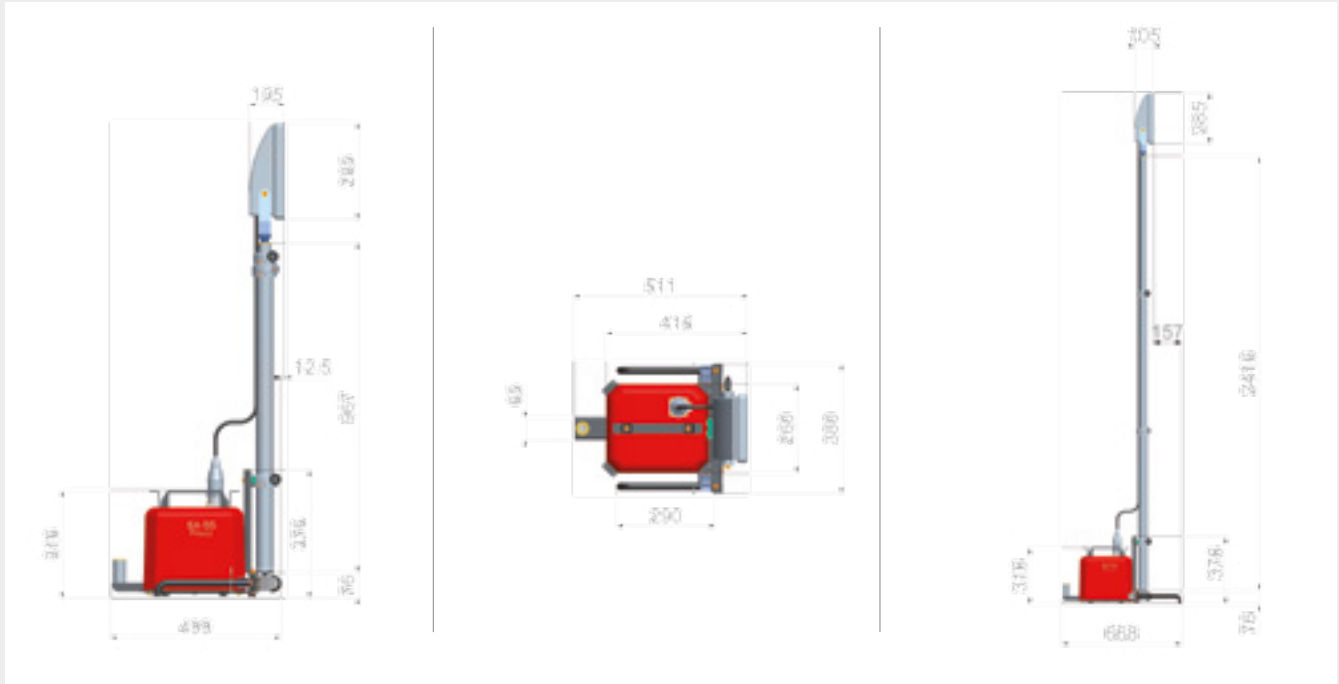
## Floodlight

LED lamp 40W 10-35V DC with lighting power of 3600 lumen, electrical input 3A-12V, 1.5A-24V or gas discharge floodlight 70 Watt 12V, available with Metal halide bulb (white light) or High Pressure Sodium (yellow light) with a lighting power of 6.500 lumen for the MH type and 6.750 for the HPS one. The electrical input is 5,5 Ah/6Ah, depending on the lamp. The floodlight is equipped with an electrical cable with plug. The lamp is IP 66.





WEIGHTS, DIMENSIONS AND DATA



Ref.	Battery Capacity [Ah]	Autonomy [h] (1)	Battery recharges	Lamp type	Extended mast height [mm]	Retracted mast height [mm]	A	B	C	Weight [kg]
<b>SX26</b>	26	4	600	HPS or MH LAMP (IP 66)	2500	1100	260	260	262	19.5
<b>SX40</b>	40	6	600		2500	1100	298	260	322	26.5
<b>SX55</b>	55	8	600		2500	1100	298	260	322	28.5

(1) The operational autonomy is calculated with the use of the battery with 75% charge and with floodlight 70 W 12 V HPS or MH.

CODES FOR ORDERING

**10.621** = Portable base with mast holder SX 26

**10.622** = Portable base with mast holder SX 40

**10.623** = Portable base with mast holder SX 55

**10.606** = Mast Ø52 - 3 sections

## ACCESSORIES



**FB.33703**

Xenophot 100W/12V/9A 3.600 Lumen



**FB.33426**

LED 40W 3A-12V, 1.5A-24V 3.600 Lumen



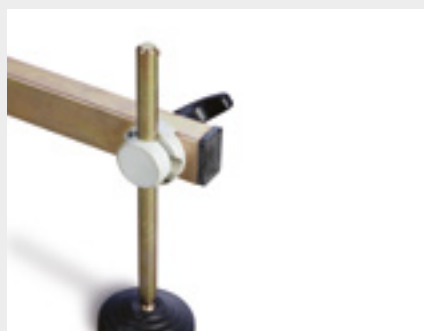
**FB.33701**

Xenon HID 35 W/12 V/3A 3.200 Lumen



**10.613 / 10.614**

70W MH / 70 HPS, 7A-12V 5.000 Lumen



**10.620**

n° 4 Stabilizing feet adjustable  
in height



**10.624**

Battery charger 12V/230V  
4A/h for SX26



**10.625**

Battery charger 12V/230V 10A/h  
for SX40 and SX55



This patented range of emergency lighting units features portable lighting unit complete with sturdy wheels Ø260mm, adjustable feet and mounting base for the generator. Three mast types make up the **CANGURO** series. STAR masts utilize external cable connectors for lights, whereas the ENTRY and SUPER ENTRY masts feature internal cabling.

The ENTRY and SUPER ENTRY masts also feature connectors on the top and bottom of the masts for quick generator and light connection. All CANGURO models have a standard 4 meter height mast giving wide-angle scene lighting; the units are extended using a hand pump (supplied). Various lighting combinations are available depending on the chosen generator.



APPLICATIONS

### 10.401

Canguro lighting emergency unit with mast CA.5323.H (STAR Ø66 - 3 sections - 3759mm extended - 1620mm retracted - with hand pump)  
Height from ground more than 4000mm with floodlights  
Dimensions: 710mm width - 320mm depth - 1500mm height  
Weight 25kg

### 10.402

Canguro lighting emergency unit with mast CN.5303.HB (ENTRY Ø66 - 3 sections - 3443mm extended - 1470mm retracted - with hand pump and internal cable 4x15mm<sup>2</sup>) complete with lower power plug for connecting the generating set and upper outlet for lamp unit connection  
Dimensions: 710mm width - 320mm depth - 1500mm height  
Weight 27kg

### 10.501

Canguro lighting emergency unit with mast CO.5438.HB (SUPER ENTRY Ø80 - 4 sections - 4499mm extended - 1535mm retracted - with hand pump and internal cable 4x15mm<sup>2</sup>) complete with lower power plug for connecting the generating set and upper outlet for lamp unit connection  
Dimensions: 710mm width - 320mm depth - 1700mm height  
Weight 30kg





### AVAILABLE FLOODLIGHTS

**BL.33004** = Lamp unit 2x400W Ha 230V mounted above (available also mounted below)

**BL.33012** = Lamp unit 3x400W Ha 230V mounted at 360°

**BL.33011** = Lamp unit 4x400W Ha 230V (2 above + 2 below)

**BL.33023** = Lamp unit 2x1000W Ha 230V mounted above (available also mounted below)



And many more...please ask us!

### ACCESSORIES



**10.412**  
2KVA Silenced Generator



**BP.3400**  
Schuko socket and plug



**10.421**  
Locking stabilizer for closed unit

# GALLERY FOR Servolux | Canguro

