

Light | Standard

ENG

CATEGORY

MEDIUM

PARTNER - PNEUMATIC TELESCOPIC MASTS



TOPICS

- Ø 90 OR 115 MM
- 3 TO 7 SECTIONS
- TOP LOAD UP TO 60KG
- EXTENDED HEIGHT UP TO 11 METRES
- WIDE RANGE OF INTERNAL CABLES

- TUBE THICKNESS OF 3.5 MM
- WATER DRAINAGE HOLES
- ANTI-ROTATION KEY-WAYS
- FIXED OR TURNABLE BASE
- MAST EXTENSION WARNING SWITCH

- TILT & TURN UNITS
- COMPLETE MULTIFUNCTIONAL SYSTEM
- WIDE RANGE OF FLOODLIGHTS COMBINATIONS

APPLICATIONS



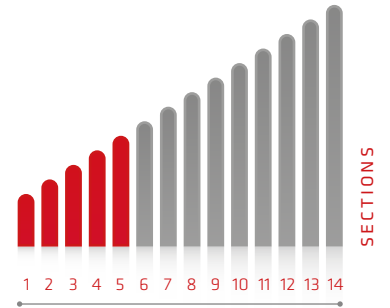
 **FIRECO**[®]
TELESCOPIC MASTS & FIRE EQUIPMENT

Light

The telescopic mast **LIGHT** has a diameter of 90mm and extended heights from 2.640mm up to 7.944mm. These mast models can be used for the most common uses, like lighting, cameras and medium weight equipment. These masts can be equipped with a tilt and turn unit.



APPLICATIONS



	Mod. LIGHT Ø 90 mm		3 sections with internal cable								
	CL 33		31	32	33	34	35	36	37	38	39
Code N	extended height	mm	2.640	3.030	3.524	3.914	4.514	5.014	5.480	5.980	6.439
	retracted height	mm	1.237	1.367	1.537	1.707	1.877	2.047	2.217	2.387	2.557
	weight	kg	11,5	12,3	13,4	14,3	15,6	16,6	17,7	18,7	19,7
	max. top load	kg	30	30	30	30	30	25	25	25	20
	max. allowed wind speed	km / h	150	140	130	140	130	120	135	125	120
	with max. surface		0,7 m ²			0,5 m ²			0,3 m ²		
	Ø top section		64 mm								

	Mod. LIGHT Ø 90 mm		4 sections with internal cable								
	CL 34		16	17	18	19	20	21	22	23	24
Code N	extended height	mm	2.298	2.805	3.273	3.823	4.492	5.147	5.767	6.446	6.946
	retracted height	mm	996	1.146	1.266	1.396	1.566	1.736	1.906	2.096	2.251
	weight	kg	11,2	12,2	13,2	14,2	15,5	16,8	18,1	19,5	20,7
	max. top load	kg	30	30	30	25	25	25	22	20	18
	max. allowed wind speed	km / h	145	135	125	135	120	110	120	110	100
	with max. surface		0,7 m ²			0,5 m ²			0,3 m ²		
	Ø top section		51 mm								

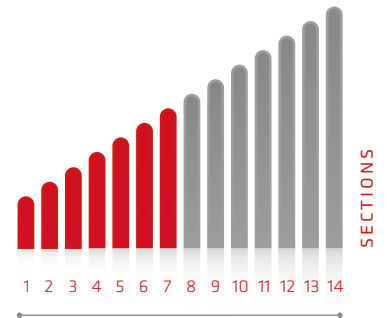


The telescopic mast **STANDARD** is one of the most popular masts and has a diameter of 115mm. The extended heights go from 2.828m up to 10.357m.

This mast model can carry heavier top loads than the Light model. It is also available with 6 and 7 sections and can be used for the most common uses, like lighting, cameras and other equipment. These masts can be equipped with a tilt and turn unit.



APPLICATIONS



Mod. STANDARD Ø 115 mm		4 sections with internal cable									
CS 34		31	32	33	34	35	36	37	38	39	
Code N	extended height	mm	2.828	3.313	3.920	4.355	4.913	5.363	5.883	6.384	6.885
	retracted height	mm	1.176	1.316	1.461	1.581	1.716	1.836	1.966	2.116	2.236
	weight	kg	17,2	18,6	20,2	21,4	22,9	24,1	25,6	26,9	28,3
	max. top load	kg	60	60	60	60	60	50	50	50	45
	max. allowed wind speed	km / h	145	135	125	135	125	115	125	115	110
	with max. surface		1 m ²			0,7 m ²			0,5 m ²		
	Ø top section		77 mm								

Mod. STANDARD Ø 115 mm		5 sections with internal cable									
CS 35		16	17	18	19	20	21	22	23	24	
Code N	extended height	mm	4.160	4.404	4.872	5.374	5.872	6.372	6.852	7.872	8.874
	retracted height	mm	1.375	1.455	1.545	1.635	1.745	1.845	1.945	2.165	2.375
	weight	kg	21,3	22	23,1	24,4	25,7	27	28,1	30,7	33,3
	max. top load	kg	60	60	60	50	50	50	45	40	40
	max. allowed wind speed	km / h	135	130	125	130	125	115	125	115	100
	with max. surface		0,7 m ²			0,5 m ²			0,3 m ²		
	Ø top section		64 mm								

Mod. STANDARD Ø 115 mm		6 sections with internal cable									
CS 36		01	02	03	04	05	06	07	08	09	
Code N	extended height	mm	3.647	4.209	5.047	5.847	6.887	7.987	9.186	10.227	10.932
	retracted height	mm	1.194	1.294	1.444	1.604	1.779	1.979	2.179	2.369	2.494
	weight	kg	20,2	21,6	23,5	25,4	27,9	30,5	33,3	35,7	37,4
	max. top load	kg	45	45	45	45	45	40	40	35	35
	max. allowed wind speed	km / h	140	135	120	120	105	105	90	150	140
	with max. surface		0,7 m ²			0,5 m ²		0,3 m ²		1 m ²	
	Ø top section		51 mm								

Compact version

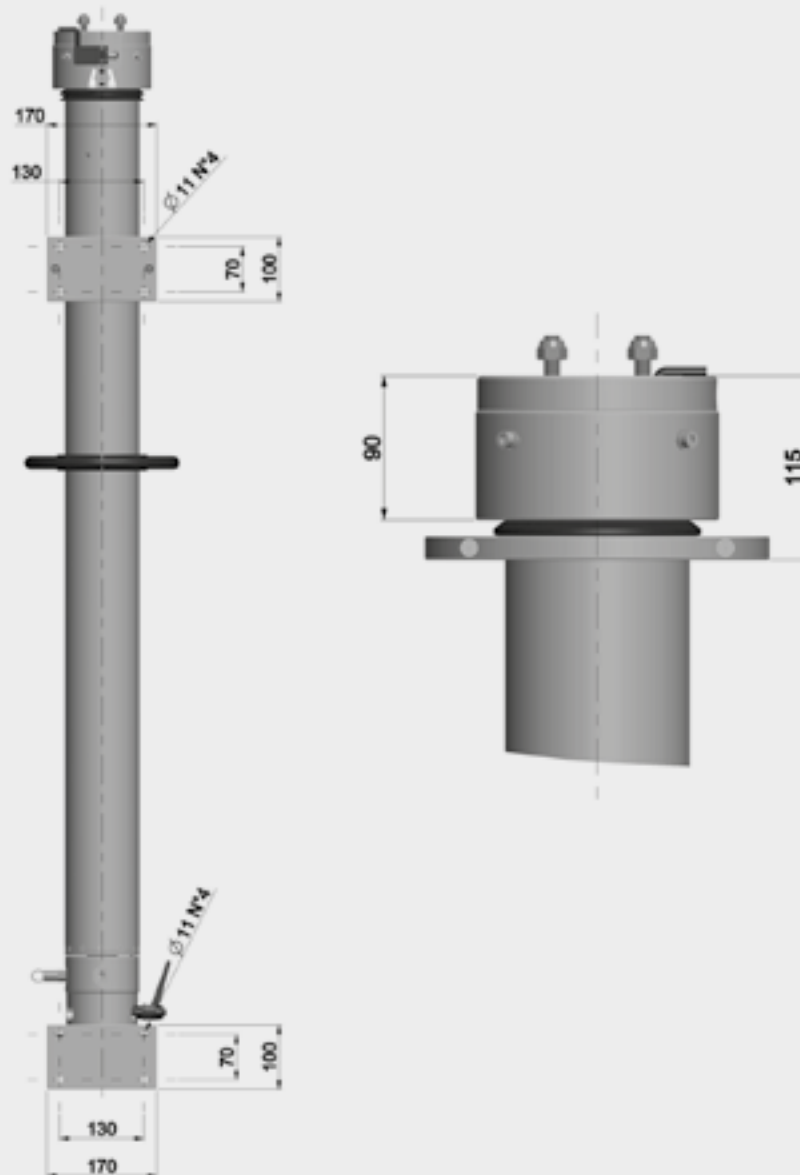
The Partner masts can also be made in the **COMPACT VERSION**, when a shorter retracted height is needed. The Compact version permits to have approx. the same extended height as the normal Partner mast, but with a shorter retracted height. Let's make an example: Partner mast Standard CS.3434.N – extended height 4.355mm and retracted height 1.581mm.

The Compact version of this mast will have an extended height of 4.439mm but a retracted height of only 1.531mm. The first number 3 in the code of the mast will be replaced by an 8 and the number 4 with a 9. In our example the code of the mast will become CS.8434.N.

TECHNICAL LAYOUT



Standard





The Fireco **TILT & TURN UNITS** have almost become a standard for the pneumatic Partner masts. The system is easy and reliable and permits to tilt the lamps (or the equipment) 335° and to turn 365°.

There are many different models in order to provide a solution to all the possible needs. Independent tilting of the arms is also possible. Combined with the multifunctional remote control, the system becomes a complete unit, ready to be used and very easy to be controlled.

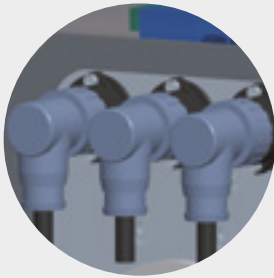
TILT & TURN UNIT NOVA 2 MOTORS



TT.36151 = 12V
TT.36152 = 24V

Compact and easy to use, the maximum top load is 40kg. Available 12V and 24V, suitable for the most common applications. It will be supplied with a set of quick connectors for each floodlight (to be ordered separately).

TILT AND TURN UNIT NOVA WITH INDEPENDENT TILTING OF THE ARMS (3 MOTORS)



The floodlights will be easily connected to the tilt & turn unit by quick connectors



TT.36161 = 12V
TT.36162 = 24V

The arms can be tilted independently for a wider illumination capacity. The maximum top load is 50kg. Available 12V and 24V. It will be supplied with a set of quick connectors for each floodlight (to be ordered separately).

TILT UNIT STANDARD



The tilt unit Standard permits to tilt the equipment approximately 100° and can have a max. top load of 30kg. The motor can be mounted either horizontally or vertically.

Vertically mounted
TL.31521 = Standard 12V
TL.31522 = Standard 24V

Horizontally mounted
TL.31531 = Standard 12V
TL.31532 = Standard 24V

Weight = 7kg

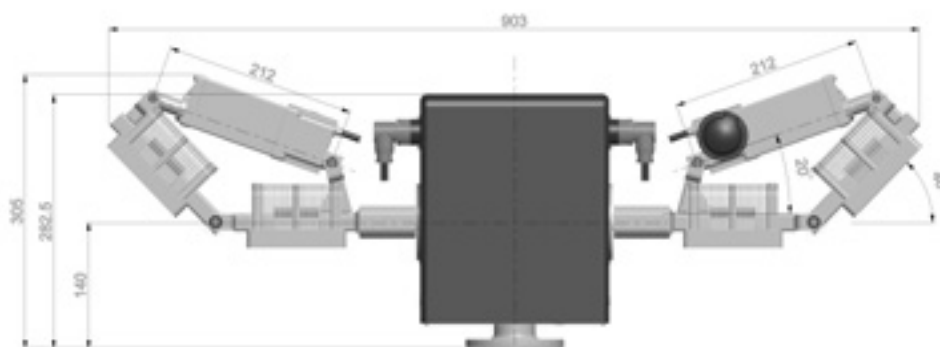
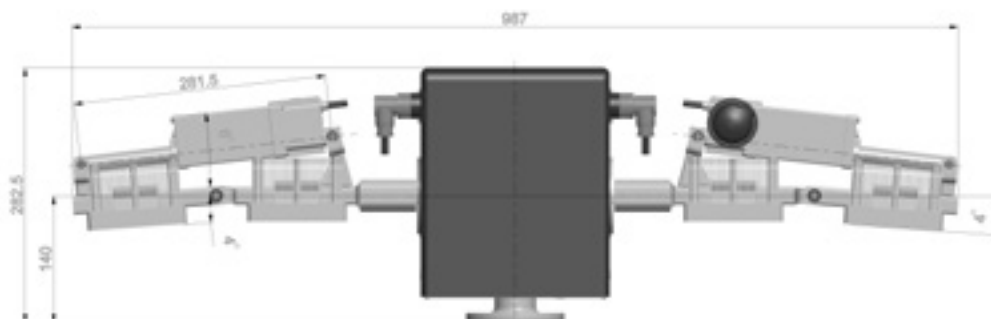
Inside focus system on tilt and turn unit Nova

The **INSIDE FOCUS SYSTEM** allows you to mount on the tilt and turn unit a motorized lamp unit, for increasing or focusing the lighting beam angle (+46°/-4°).

It can be equipped with **40W LED, 50W LED, 90W LED, Hella 42W Xenon or Hella Power Beam 3000 floodlights**.

The tilt and turn unit allows you to turn the complete unit 365° and to tilt it 335°, furthermore you can move the arms -4° and +46° like shown in the pictures.

This will permit you to illuminate a wide area and to direct the lighting beam to the required direction. All the functions of this unit can be controlled by one multifunctional remote control.



Multifunctional remote controls with electronic board



The FIRECO multifunctional remote control permits you to control ALL the functions of the mast with just one remote control. The remote control is easy and safe to use, thanks to the automatic block of the keypad and easy to understand functions. The mast with the multifunctional remote control is supplied with an electronic board and an electrovalves group.

1 - RC.31746

Multifunctional remote control for mast extension/retraction, tilt & turn of the floodlights, on/off switching of floodlights, automatic restore – ergonomic, with protection cover and 4mt spiralled cable

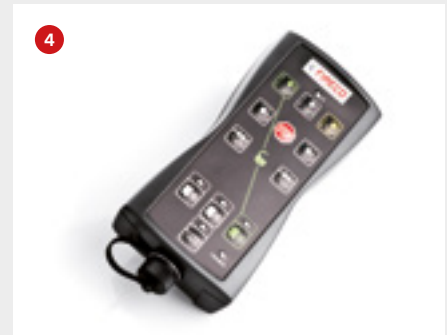
Available also radio= [RC.31747](#)
Available also TOUCH SCREEN

2 - RC.31748

Multifunctional remote control for mast extension/retraction, turn & independent tilting of the floodlights, on/off switching of floodlights, automatic restore – ergonomic, with protection cover and 4mt spiralled cable

Available also radio= [RC.31749](#)

MAST WITH TILT AND TURN UNIT



3 - RC.31766

Multifunctional remote control for mast extension/retraction, tilt & turn of the floodlights, single on/off turning of four floodlights, automatic restore – ergonomic, with protection cover and 4mt spiralled cable

Available also radio= [RC.31767](#)

4 - RC.31756

SMART Multifunctional remote control for mast extension/retraction, tilt & turn of the floodlights, on/off switching of floodlights, automatic restore – ergonomic, with protection cover and 4mt spiralled cable – USABLE WITH AND WITHOUT CABLE – switches automatically to the radio mode as soon as the cable is detached – with rechargeable batteries – back-lit keypad

Also available for tilt & turn with independent tilting= [RC.31758](#)

MAST WITHOUT TILT AND TURN UNIT



- RC.31742

Multifunctional remote control for mast extension/retraction, single on/off switching of 4 floodlights, automatic restore – ergonomic, with protection cover and 4mt spiralled cable

Available also radio= [RC.31745](#)

TOUCH SCREEN is available

Lamp Units

FLOODLIGHTS

On the telescopic masts you can mount many different types of floodlights:

- Halogen 400W/1000W/1500W
- LED 40W/50W/90W/100W/162,8W/185W
- Hella Xenon 42W or Power Beam 3000
- 400W MH or HPS with integrated ballast
- ...and many more!

FIRECOLED 100W



The future of illumination is LED.

Fireco products are always up to date and therefore we are proud to present the FirecoLED!

The LED lights have many advantages such as high efficiency, long life, shock resistance, low voltage demand, reduced power consumption and lower operating temperature.

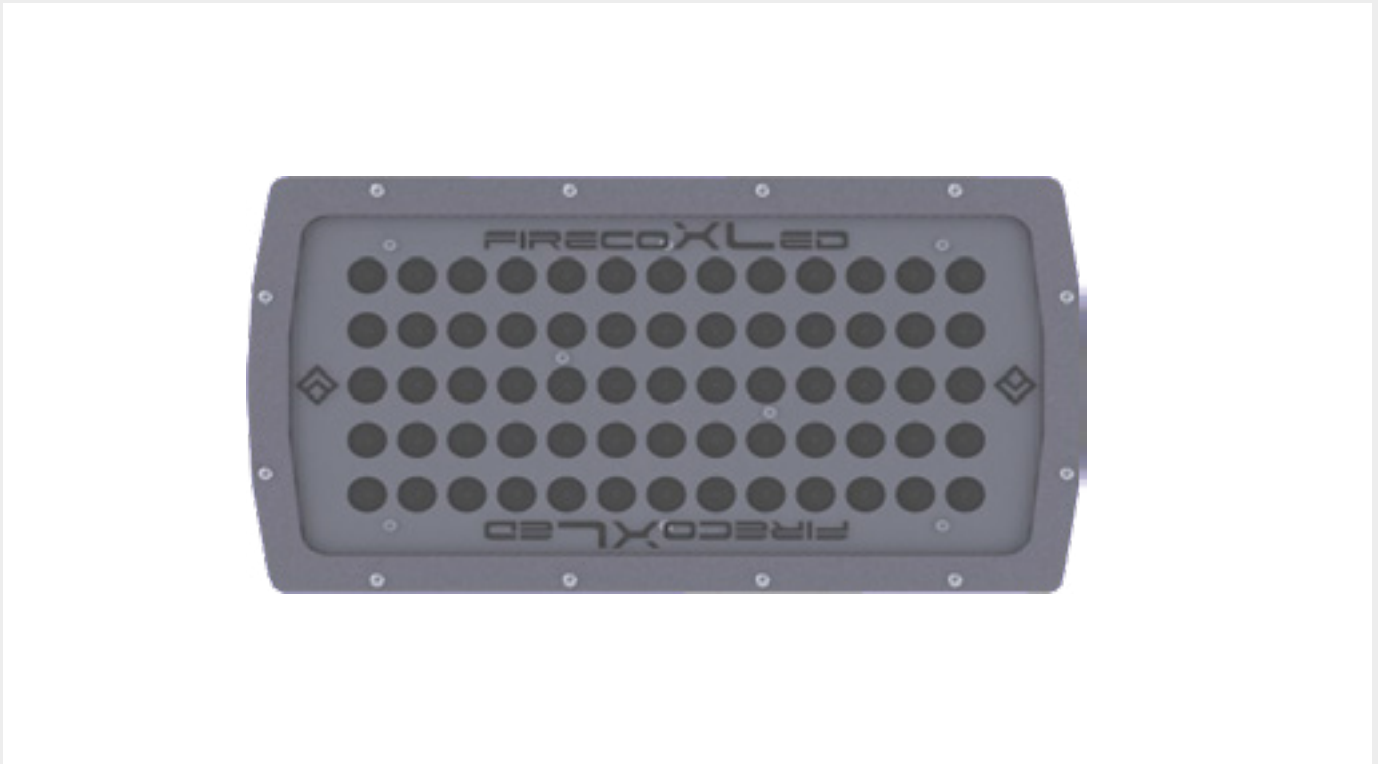
MAIN FEATURES

LED FLOODLIGHT

Light flux:	10.479 lm
Power supply:	12÷24VDC-230VAC
Power absorption:	8,3A 12VDC - 4,2A 24VDC - 0,43A 230V
Consumption:	100W
Aluminium body:	IP66
Weight:	3,5kg



FIRECOXLED 162,5W / 185W



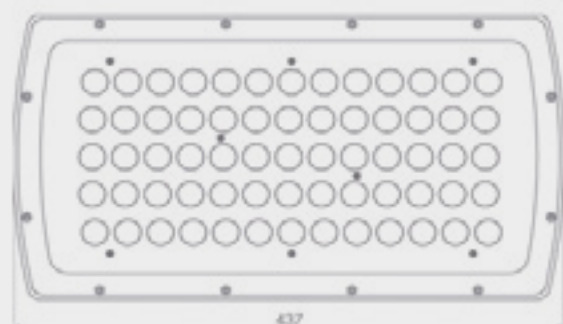
MAIN FEATURES 162,5W / 185W

Nr. 65 LED white light 2,5W / Nr. 65 LED white light 2,8W

Instant production of the maximum brightness (100ns)

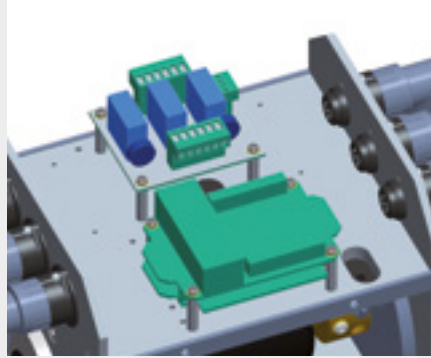
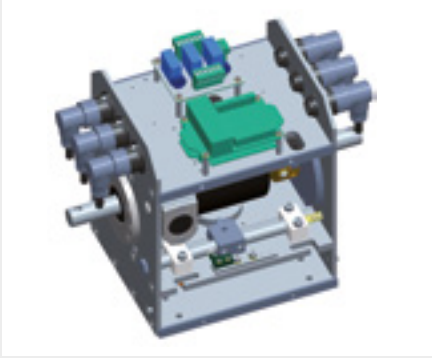
No UV-emission

Light flux at the source:	16250 lm / 20000 lm
Power supply:	12 ÷ 24DC
Power absorption:	13,78 A @ 12V – 6.72 A @ 24V / 15,41 A @ 12V – 7.58 A @ 24V
Absorption:	162W @ 24V - 165W @12V / 182W @ 24V - 185W @12V
Aluminum body:	IP67
Operating temperature:	von -20 bis +40°C
Weight:	7kg

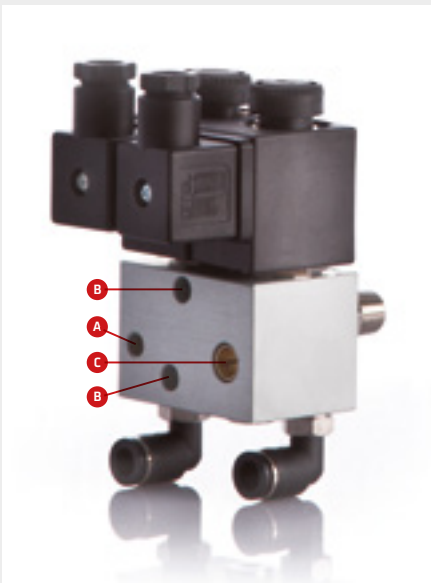


Electronic board

The multifunctional system is controlled by a double layer electronic board mounted inside the tilt & turn unit.



ELECTROVALVES GROUP

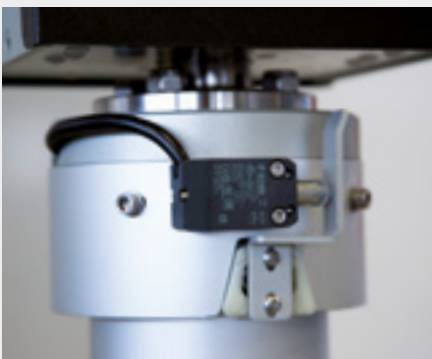


The Solenoid Valve Unit is used to ensure the electronic extension and retraction of the mast. It is made of anodized Aluminum and it works from 12 V DC to 230AC, so it is very adaptable. Furthermore it can be easily remoted to another position.

The Solenoid Valve unit can be placed in two different positions, depending on the costumers' needs: with the coils one opposite to the other or, for a more space-saving configuration, with the coils positioned parallel.

- A** Extension Regulator
- B** Fixing Screws M4/M5
- C** Retraction Regulator

MICRO - SWITCH



The function of the micro switch is to signal when the mast is extended. The customer can connect it to visual or audio signal inside the cabin, in order not to drive with a still extended mast.

Furthermore the automatic restore function can also be connected to the hand break system, so that by releasing the hand brake, the mast will return automatically to the "home" position.

The masts can be equipped with automotive connectors, for an easy and quick installation.



Fireco has a wide range of electrical cables which can be mounted inside the telescopic masts. The spiraled cables provide power, video signals and data transmission to the devices mounted on top of the mast. This internal solution provides a much longer lifetime than the external cable solution. The Internal cable is much lighter than the external solution. Furthermore there

is no need of additional labour and space otherwise needed for the external cable. The cables are specifically manufactured for the masts and have therefore special characteristics. In the range there are also several coaxial cables, fiber optics and a CAT 5/6 wires in order to mount cameras and other measurement equipment.



MOUNTING ACCESSORIES



ROUND ROOF BRACKET

BK.30004 = for mast $\varnothing 90$ mm
BK.30006 = for mast $\varnothing 115$ mm



SQUARE ROOF BRACKET

BK.30055 = for mast $\varnothing 90$ mm
BK.30056 = for mast $\varnothing 115$ mm



UPPER FIXING BRACKET

BK.30204 = for mast $\varnothing 90$ mm
BK.30206 = for mast $\varnothing 115$ mm



LOWER FIXING BRACKET

BK.30104 = for mast $\varnothing 90$ mm
BK.30106 = for mast $\varnothing 115$ mm

Air compressors



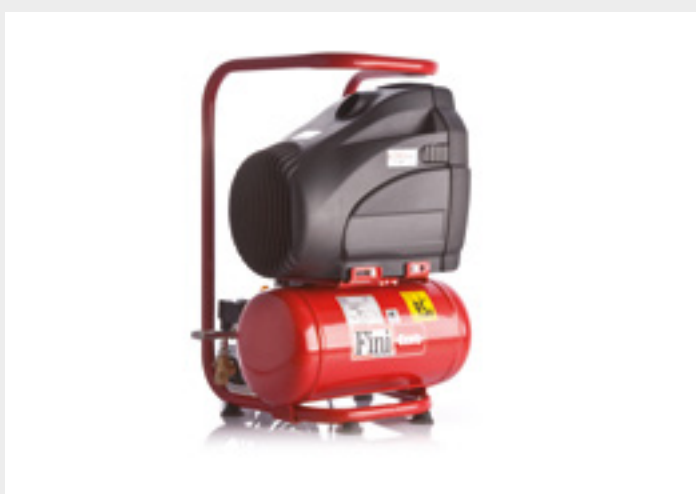
50LT/1' 12 OR 24V

Can be equipped
with a remote control



173LT/1' 12 OR 24V

Can be equipped
with a remote control



230Vlt/1' 230V

Can be equipped
with a remote control*

**also a radio remote control is available*

Pneumatic Control Board



The pneumatic control board is designed for the mast extension and retraction and is required when you use the air from the vehicle's

air system, a compressed air cylinder or a compressor without pressure control.



PC.33211

Pneumatic control block with pressure regulator

PC.33212

Pneumatic control block with pressure regulator and spring

PC.33213

Pneumatic control block with pressure regulator and spring only for extension

PC.33221

Pneumatic control block pressure regulator and dry filter

PC.33222

Pneumatic control block with pressure regulator, dry filter and spring

PC.33223

Pneumatic control block with dry filter and spring for extension only

GALLERY FOR Light | Standard



